



DESCRIPTION

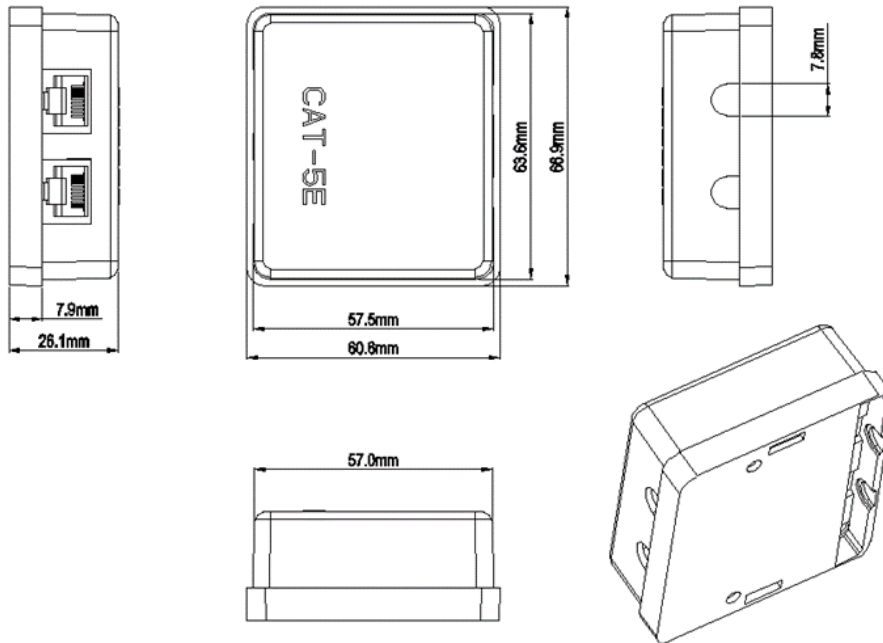
This series keystone jacks work together with high-speed cables, cords and panels to provide performance beyond proposed Category 5E standards, a new feature of this series jack is a universal-colored wiring label that eliminates the need for separate codes for T568A/B wiring scheme.

APPLICATION

- Available in Cat. 5E, T568A/B wiring, meet or exceed TIA/EIA Cat.5E requirements
- Housing: high temperature thermoplastic
- Compact jack design, 8 positions and 8 conductors
- Contact: phosphor bronze, phosphor bronze with 6 to 50 μ " gold plate
- Accept 22-26 AWG solid with an insulation diameter of 0.4-0.6 mm
- Easy to be terminated, low attenuation loss and high return loss
- High reliability and superior performance
- Available in different colors



PRODUCT DIMENSIONS



CONSTRUCTION

Description	Parameter
Contact resistance (max)	20mΩ
Insulation resistance (min)	500MΩ
Return loss (dB)	5.3dB

ORDERING INFORMATION

Product code	Description	Color	Inner Box	Carton	Carton measurement (L*W*H)	Weight
1-1515002	Surface 2-port keystone jacks (90 degree)	White	15 pcs.	150 pcs.	53 cm × 31 cm × 23 cm	9.30 kg



PERFORMANCE



Test Summary: PASS

Date / Time: 01/06/2018 03:03:45 PM Operator: Your Name
 Headroom 5.3 dB (NEXT 36-45) Software Version: 2.7800
 Test Limit: TIA Cat 5e Perm. Link Limits Version: 1.9500
 Cable Type: Cat 5e U/UTP NVP: 69.0% Model: DTX-1800
 Main S/N: 1342547
 Remote S/N: 1342548
 Main Adapter: DTX-PLA002
 Remote Adapter: DTX-PLA002

Length (ft), Limit 295	[Pair 45]	256
Prop. Delay (ns), Limit 498	[Pair 12]	387
Delay Skew (ns), Limit 44	[Pair 12]	10
Resistance (ohms)	[Pair 12]	14.0

Insertion Loss Margin (dB)	[Pair 12]	4.7
Frequency (MHz)	[Pair 12]	100.0
Limit (dB)	[Pair 12]	21.0

	Worst Case Margin		Worst Case Value	
PASS	MAIN	SR	MAIN	SR
Worst Pair	36-45	36-45	36-45	36-45
NEXT (dB)	5.4	5.3	5.4	5.3
Freq. (MHz)	83.8	98.3	83.8	98.3
Limit (dB)	33.6	32.4	33.6	32.4
Worst Pair	45	45	36	45
PS NEXT (dB)	7.7	7.7	8.1	7.7
Freq. (MHz)	77.3	98.0	83.8	98.0
Limit (dB)	31.1	29.4	30.6	29.4

	MAIN	SR	MAIN	SR
Worst Pair	36-45	45-36	45-36	36-45
ACR-F (dB)	3.4	3.4	4.7	4.6
Freq. (MHz)	1.0	1.0	75.3	75.3
Limit (dB)	58.6	58.6	21.1	21.1
Worst Pair	36	36	36	36
PS ACR-F (dB)	5.7	5.5	7.5	7.7
Freq. (MHz)	1.0	1.0	75.3	76.5
Limit (dB)	55.6	55.6	18.1	17.9

	MAIN	SR	MAIN	SR
Worst Pair	36-45	36-45	36-45	36-45
ACR-N (dB)	10.0	9.2	13.0	10.3
Freq. (MHz)	22.5	22.5	100.0	98.3
Limit (dB)	33.4	33.4	11.3	11.7
Worst Pair	45	45	45	45
PS ACR-N (dB)	12.2	11.7	15.0	12.7
Freq. (MHz)	77.3	22.5	100.0	98.3
Limit (dB)	12.9	30.4	8.3	8.7

	MAIN	SR	MAIN	SR
Worst Pair	78	78	45	45
RL (dB)	7.9	8.4	8.8	9.5
Freq. (MHz)	4.3	5.3	98.8	98.8
Limit (dB)	19.0	19.0	12.1	12.1

Compliant Network Standards:

10BASE-T	100BASE-TX	100BASE-T4
100BASE-T	ATM-25	ATM-51
ATM-155	100VG-AnyLan	TR-4
TR-16 Active	TR-16 Passive	

LinkWare Version 9.1

Project: DEFAULT
100000.fw

Site: Client Name

