

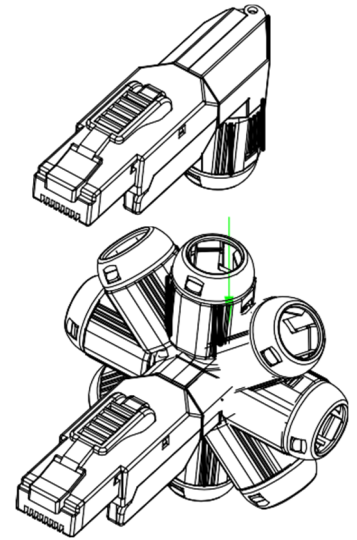
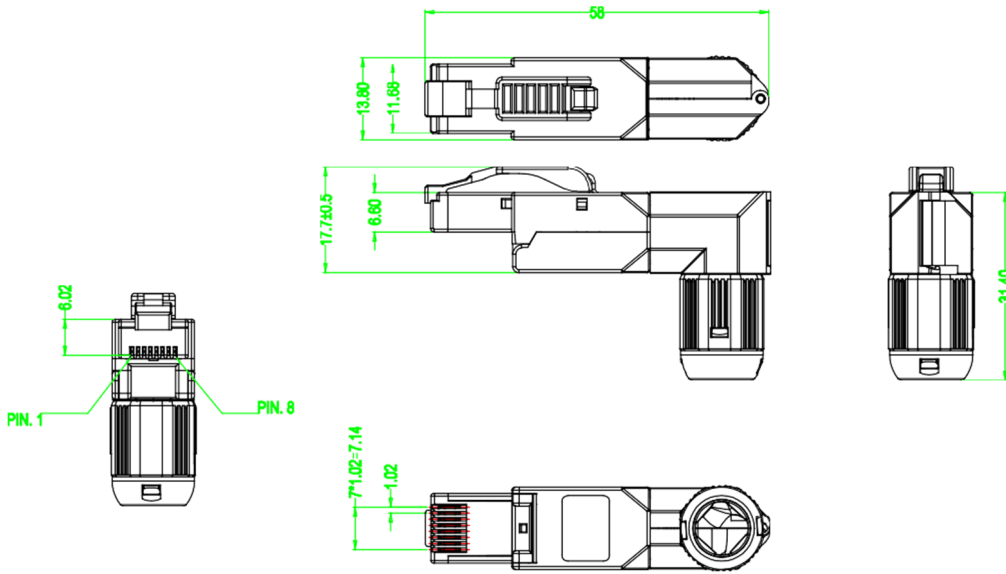
DESCRIPTION

Cat. 6a performance requirements, comply with 10 Gigabit Ethernet application system, suitable for connection between FD to the outlet of the work area, providing up to 550MHz available bandwidth.

APPLICATION

- Unique exterior design, simple, compact and beautiful
- Comply with ergonomic principle and with termination-free design
- Unique PCB circuit board design reduces EMI/RFI interference, low attenuation loss and high return loss
- Overall zinc alloy shielding design meets the industry standards
- Meet the requirements of both T568A/T568B
- phosphor bronze contact with 50 μ " gold plate, with a durability of 750 matching recycles
- With backward compatibility of CAT 6A and lower classes
- There is 8 directions (8 x 45°) can be rotated.

PRODUCT DIMENSION

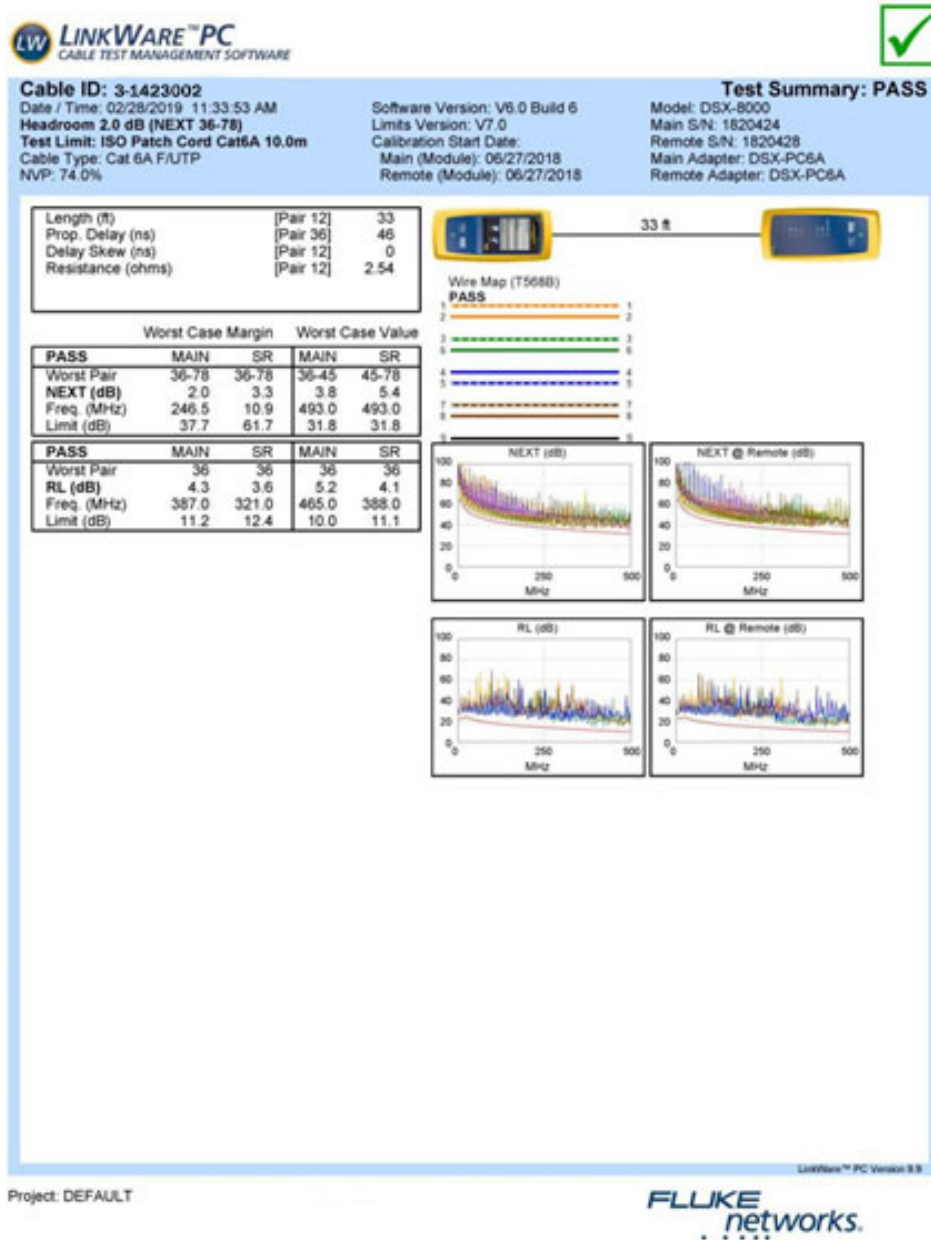


8x 45°
There is 8 direction can be rotated.

CONSTRUCTION

<i>Description</i>	<i>Parameter</i>
Contact resistance(max)	20mΩ
Insulation resistance(min)	500MΩ
Return loss(dB)	3.6dB

PERFORMANCE



ORDER INFORMATION

Part No.	Description	Color	Inner Box	Carton	Carton measurement (L*W*H)	Weight
3-1423002	Cat. 6a Shielded Fielded Plug	Sliver	1 pcs.	250 pcs.	53 cm x 31 cm x 23 cm	11.00 kg