



DESCRIPTION

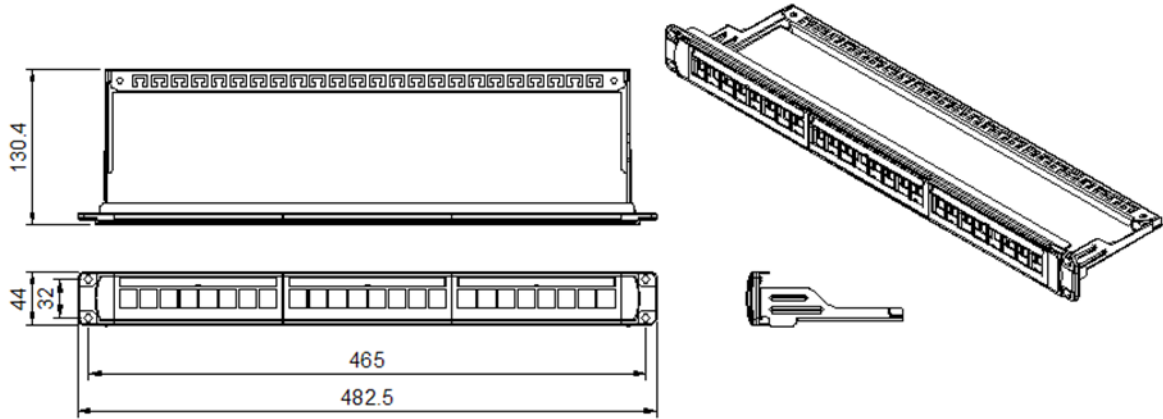
The 24-port empty patch panel matches with the installation of different kinds of modular jacks, complies with Gigabit Ethernet applications, and it is suitable for interaction and termination of horizontal cabling between devices, equipment and centralized points, as well as fits for 19" equipment racks and cabinets.

APPLICATION

- Unique exterior design, simple and compact with beautiful appearance
- High quality engineering plastic and steel sheet with high strength
- Ergonomic design, convenient module snap-in installation
- Consistency black surface with any other equipment
- Be compatible with various performance modules
- Solid and easy installation design saves installation and operation costs
- Be compatible with 19-inch equipment racks, cabinets, and wall mount shelf
- All ports are large front-end marked, easier use for operation
- The back ends with a cable manager that effectively guides the cable to the termination point



PRODUCT DIMENSIONS



ORDERING INFORMATION

Product code	Description	Color	Inner Box	Carton	Carton measurement (L*W*H)	Weight
9-1004001	24-port empty patch panel	Black	1 pc.	10 pcs.	53 cm × 31 cm × 23 cm	7.8 kg