



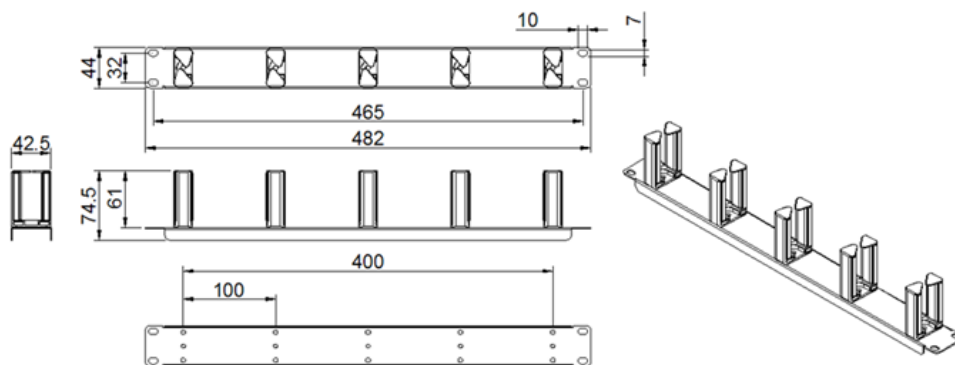
DESCRIPTION

Be compatible with 19-inch equipment rack, cabinets, and wall mount shelf, suitable for interaction and termination of horizontal cabling between devices, equipment and centralized points.

APPLICATION

- Made of high-quality ABS plastic to avoid scratching, with detachable surface faceplate design
- Unique exterior design, simple, compact and beautiful
- Accomplish a clean and beautiful cabling system with simple, flexible, effective, convenient and safe feature
- Black appearance enables its combination of any other equipment in data center

PRODUCT DIMENSIONS



ORDERING INFORMATION

Product code	Description	Color	Inner Box	Carton	Carton measurement (L*W*H)	Weight
9-2009108	1U Single recessed cable management	Black	1 pc.	20 pcs.	61 cm × 53 cm × 22 cm	10 kg