



DESCRIPTION

Vertical Fiber Optic Splice Closure CNFOSC-999226-xx is widely applied to the splicing, distributing variable optical cables.

FEATURES

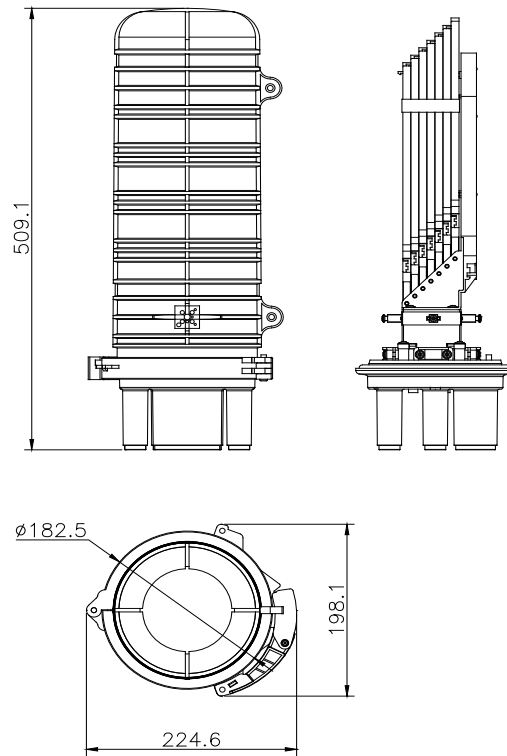
- Splice tray: Max. 6pcs, each 24cores
- Cable port: 4pcs round port $\phi 20\text{mm}$, 1pc ellipse port for supporting cable entry without cutting. All cable ports are heat shrink sealing.
- Waterproof: IP68
- Wall-mounting, aerial hanger and pole holding
- Material: high impact resistance PP materials with UV

SPECIFICATIONS

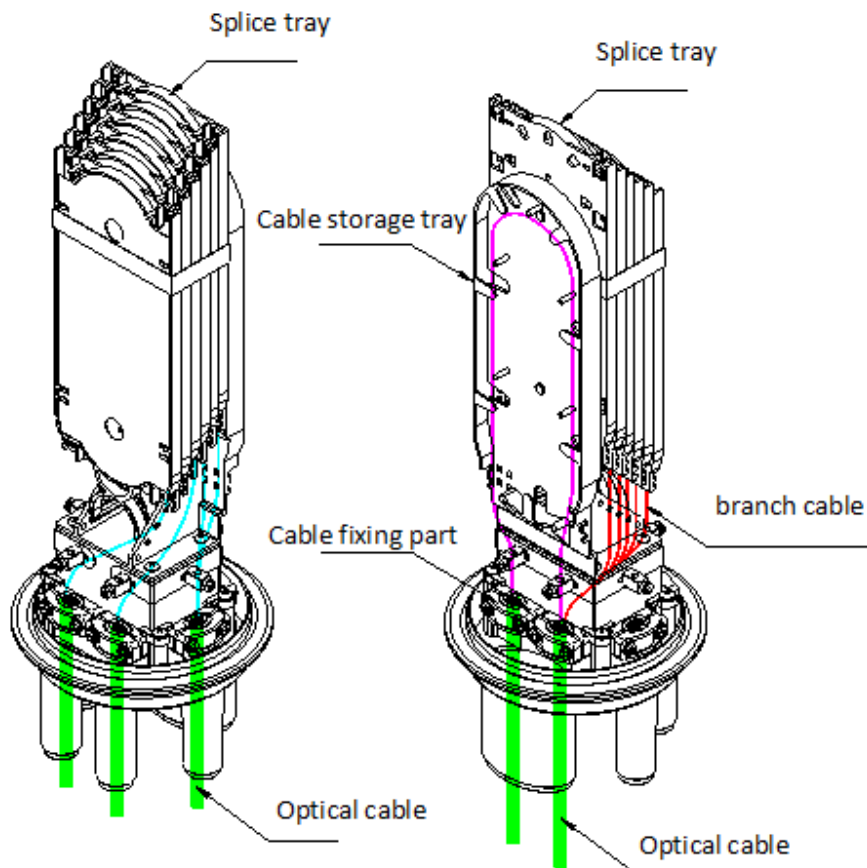
Model	Splice tray	Fiber core	Dimension (mm)	Weight (Kg)
CNFOSC-999226-xx	6 trays, each 24core	144C	$\phi 182.5 \times \text{height } 509.1$	



SIZE (mm)



CABLE DISTRIBUTION





PICTURES

