

### DESCRIPTION

This product is developed to protect the fusion, distribution and concentration of optical fibers in aerial and underground networks.

The box houses direct or derivative splices, supporting up to 96 fibers accommodated inside through plastic trays. It has a unidirectional cable entry configuration, with 1 oval cable entry for 10 to 25 mm cables and 4 cylindrical cable entries for 8 to 18 mm diameter, sealed by thermos contractible tubes (SVT). Easy mechanical closure between dome and base through a set of plastic clamps.

### OPTIONAL

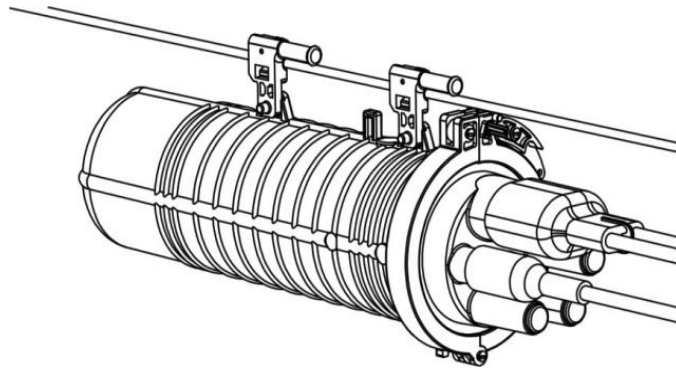
Accompanying tray for splice accommodation, as per customer request

Dimension (mm)	Fiber quantity	Tray quantity	Suitable cable dia. allowed
195x195x492	24 fibers	1	1 big oval port: 10-25mm 4 small round ports: 8-18mm
	48 fibers	2	
	72 fibers	3	
	96 fibers	4	

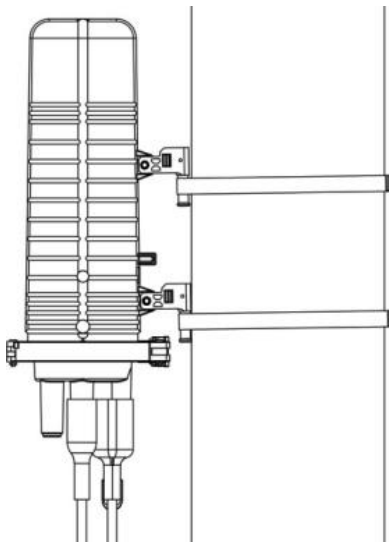


## APPLICATION

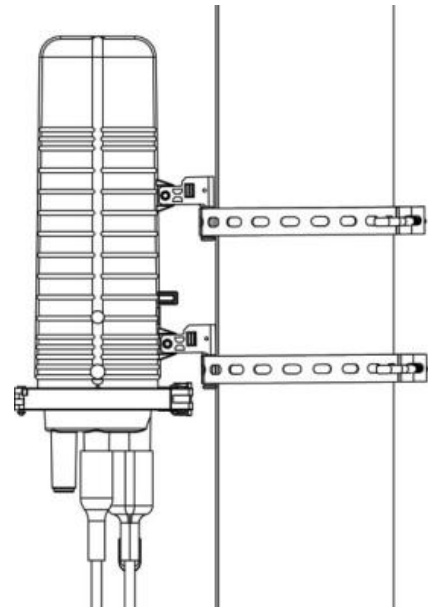
Strand fastening



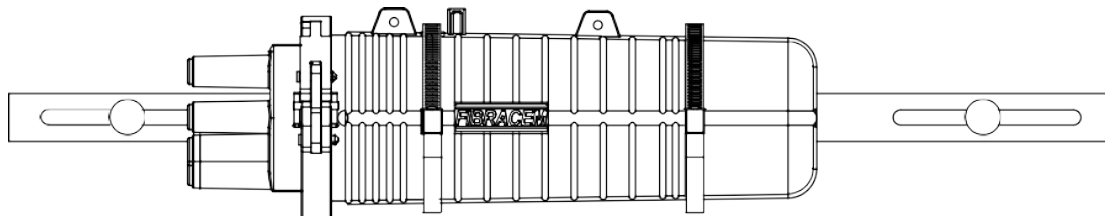
Pole fixation through bap clamp



Pole fixing with stainless steel tape



Underground fixation



\* BAP clamp, steel band, strand and underground bracket are sold separately.



## STANDARD ACCESSORIES

