

FLOOR BOXES | COLUMNS | DESKTOP WORKSTATIONS

**COLUMNS**  
(REF. 83241 | 83242)

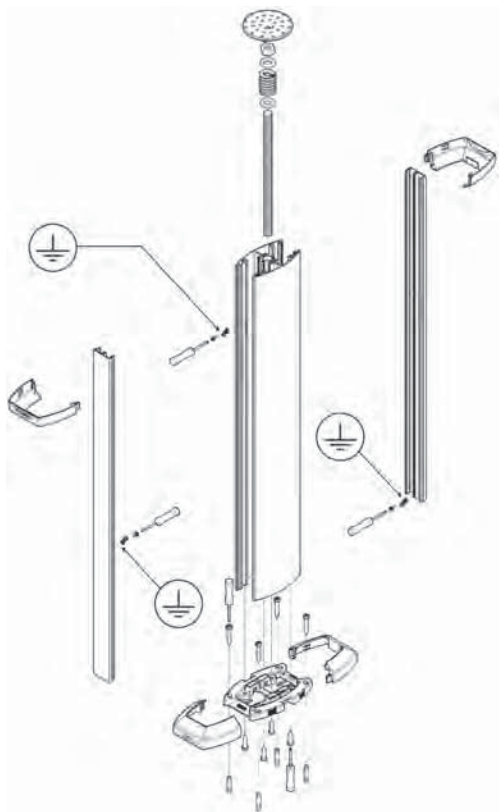
**DESCRIPTION**



**IK09**

- They allow the power and cable routing between the ceiling and the floor.
- To be used with semi-assembled devices QUADRO 45 Series.

**MOUNTING DIAGRAM**



**DIMENSIONS (mm)**



FLOOR BOXES | COLUMNS | DESKTOP WORKSTATIONS

2-SIDED MINI COLUMN

(REF. 83281)

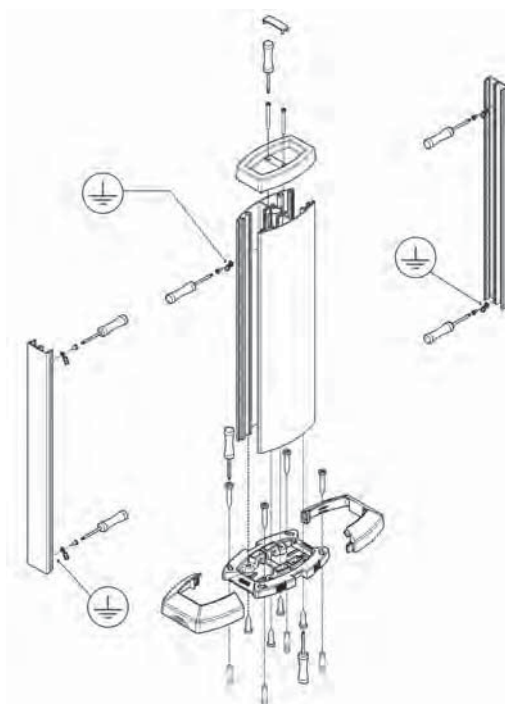
DESCRIPTION



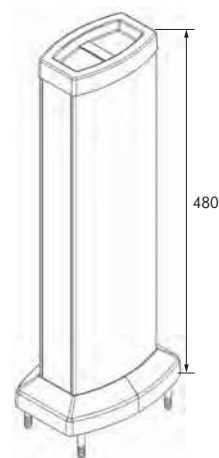
IK09

- Allows to put all the connections (power and communication) nearby the Workstation.
- To be used with semi-assembled devices QUADRO 45 Series.

MOUNTING DIAGRAM



DIMENSIONS (mm)



FLOOR BOXES | COLUMNS | DESKTOP WORKSTATIONS

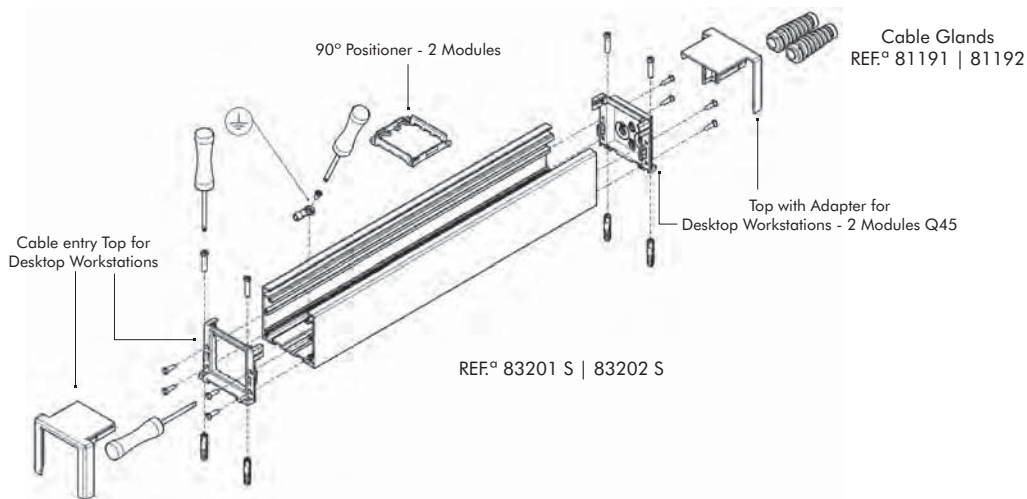
**DESKTOP WORKSTATIONS**  
(REF. 83201 S / 83202 S)

**DESCRIPTION**

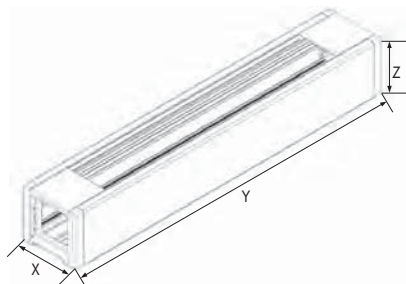


- They can be installed on a desk, wall, DIN rail or elsewhere.
- To be used with semi-assembled devices QUADRO 45 Series.

**MOUNTING DIAGRAM**



**DIMENSIONS (mm)**

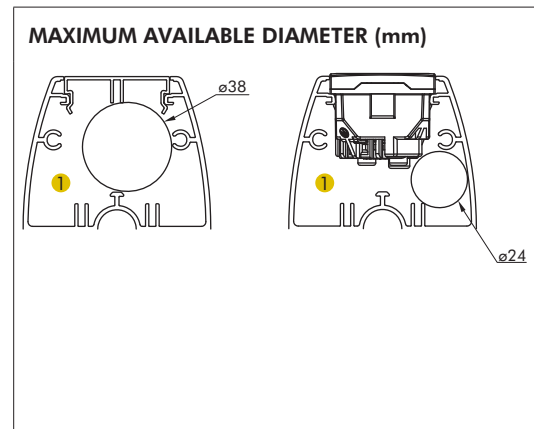
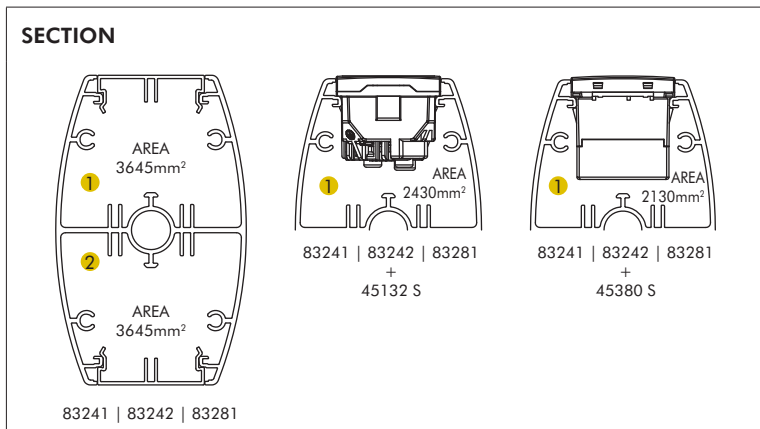


	X	Y	Z
REF. 83201 S	62,0	269,5	54,5
REF. 83202 S	62,0	360,5	54,5

FLOOR BOXES | COLUMNS | DESKTOP WORKSTATIONS

COLUMNS AND 2-SIDED MINI COLUMN (PROFILE SELECTION)

Ref.	Profile Characteristics			Isolated Cables Capacity				
	Section	Internal Section (S)	Available Section (Su)	Max. Available $\phi$ (mm)	Max. Nr. Conductors H07 V-U			
		(mm <sup>2</sup> )	(S:1,4) (mm <sup>2</sup> )		1,5mm <sup>2</sup>	2,5mm <sup>2</sup>	4mm <sup>2</sup>	6mm <sup>2</sup>
<b>Columns and 2-sided Mini Column</b>	1	3645	2604	38	325	217	174	130
		3645	2604	38	325	217	174	130
<b>Columns and 2-sided Mini Column with Q45 Energy Socket</b>	1	2430	1736	24	217	145	116	87
		2430	1736	24	217	145	116	87
<b>Columns and 2-sided Mini Column with Power Supply Module</b>	1	2130	1521	—	190	127	101	76
		2130	1521	—	190	127	101	76



DESKTOP WORKSTATIONS (PROFILE SELECTION)

Ref.	Profile Characteristics			Isolated Cables Capacity				
	Section	Internal Section (S)	Available Section (Su)	Max. Available $\phi$ (mm)	Max. Nr. Conductors H07 V-U			
		(mm <sup>2</sup> )	(S:1,4) (mm <sup>2</sup> )		1,5mm <sup>2</sup>	2,5mm <sup>2</sup>	4mm <sup>2</sup>	6mm <sup>2</sup>
<b>Desktop Workstations Profile and Desktop Workstations</b>	1	2497	1784	38	223	149	119	89
		1280	914	13	114	76	61	46
<b>Desktop Workstations Profile and Desktop Workstations with Q45 Power Supply Module</b>	1	980	700	—	88	58	47	35

