

Elegant Wall 19inch Wall Mounting Rack Cabinet
H:12U W:600 x D:450



- Removable and lockable side panels
- Optional fan-unit into the roof or 19inch rack mount type fan unit
- Flat-packed construction
- Vertical mounting rails are adjustable throughout the entire depth of the cabinet.
- Load carrying capacity 70kg
- With 1.5mm thickness silk-screen mounting rails.
- Tempered safety glass front door, t:4mm
- Sheet steel rear panel
- *Perforated front and side panels are available upon the request*

List Code : ELGW 12U 6045 CC 111

Technical Data

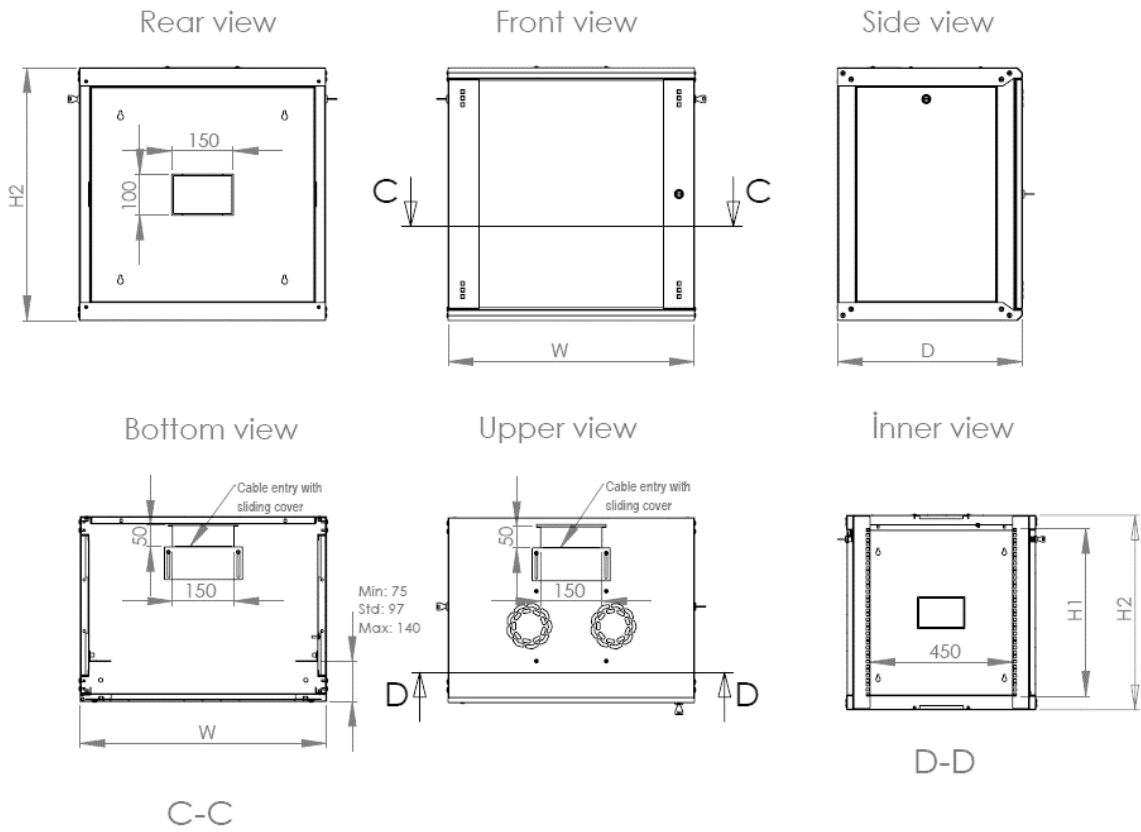
Dimensions HxWxD in mm	H:615,35mm W:600mm D:450mm (Check 2nd page for different height options)
Height in U	12U
Color	<i>RAL 9005 Black color = ELGW 12U 6045 BL 111 or RAL 7035 L.gray color = ELGW 12U 6045 LG 111</i>
Grounding continuity	In accordance with the standard EN 61587-1: 2012 / EN 61010-1 / IEC 60917- IEC 60297
Standards	ISO9001-2015 TS EN 61587-1 :2012, 5.2.1 and 5.2.2 CE According the IEC/ISO 17050 – EN 62208:2011 & EN 60335-1

Mechanical Characteristics

Material	Sheet Steel, TS EN 10130 :2006
Inside height in mm	533,40
Outside height in mm	615,35
Load Carrying Capacity	70kg / 145lbs (Up to 200kg / 440lbs with triangle Support bar set)
IP rating	IP20

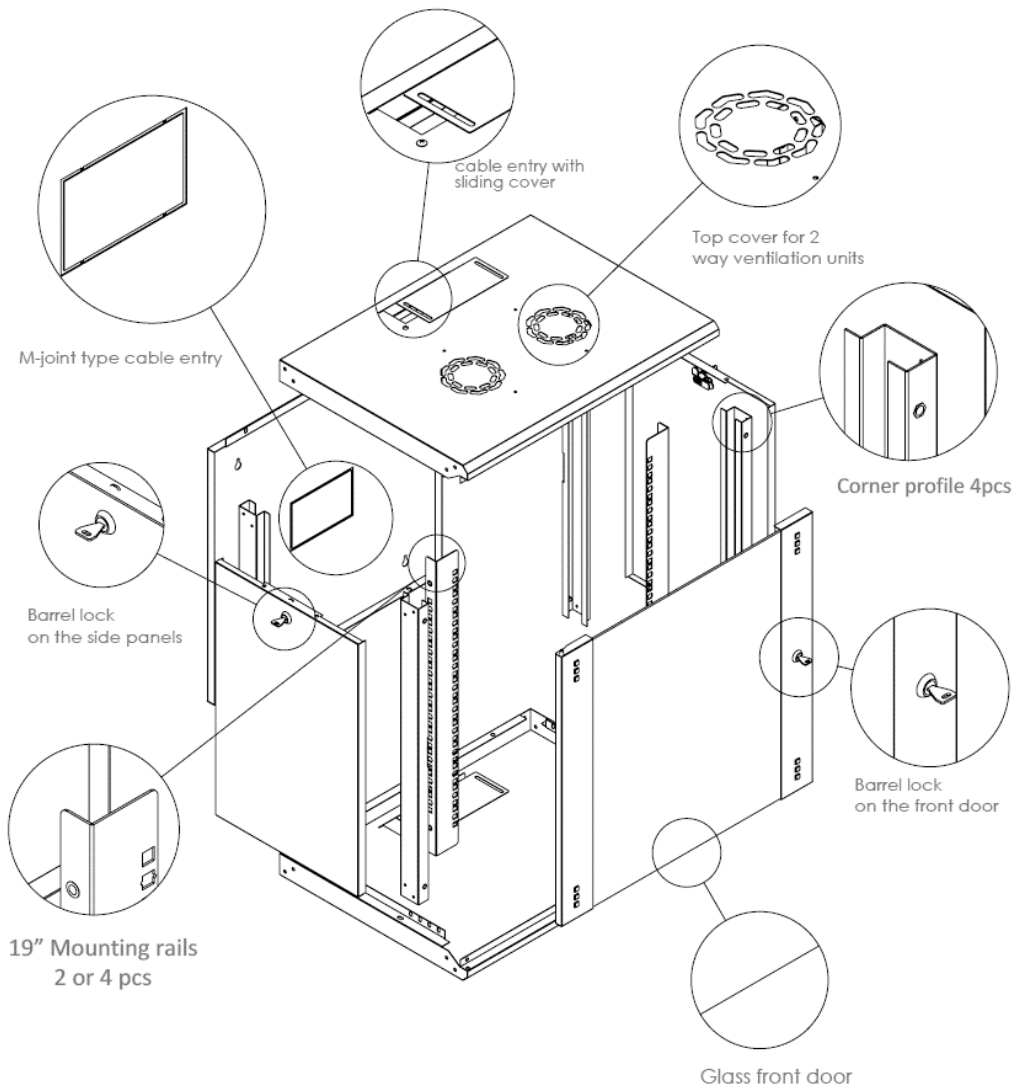
We are responding the needs of users with choice of 6 different height dimensions.

Height : 04U-07U-09U-12U-16U-20U
Width : 600mm
Depth : 450mm



Product code	Product description	Out width (W)	Out depth(D)	H1: inner Height	H2: Out Height
ELGW 04U 6045 CC 111	04U 19" 600x450mm ELEGANT WALL MOUNTING RACK CABINET	600	450	177,8	259,75
ELGW 07U 6045 CC 111	07U 19" 600x450mm ELEGANT WALL MOUNTING RACK CABINET	600	450	311,15	393,1
ELGW 09U 6045 CC 111	09U 19" 600x450mm ELEGANT WALL MOUNTING RACK CABINET	600	450	400,05	482
ELGW 12U 6045 CC 111	12U 19" 600x450mm ELEGANT WALL MOUNTING RACK CABINET	600	450	533,4	615,35
ELGW 16U 6045 CC 111	16U 19" 600x450mm ELEGANT WALL MOUNTING RACK CABINET	600	450	711,2	793,15
ELGW 20U 6045 CC 111	20U 19" 600x450mm ELEGANT WALL MOUNTING RACK CABINET	600	450	889	970,95

Explode View



VENTILATION OPTIONS

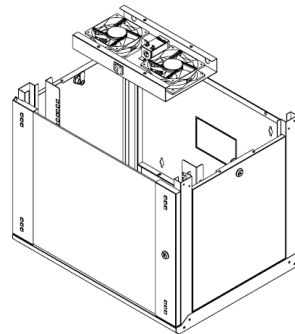
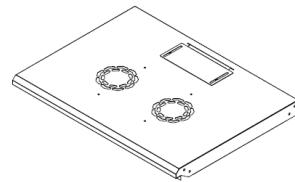
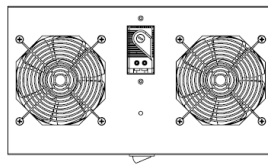
Quick-change fan trays that can be accessed without removing the cabling or the device from the rack

Ventilation module can be detached by removing 4 pcs screws from the top case for maintenance or replacement needs.

STANDARDS : EMC EN55032:2015 & LVD IEC 62368-1 :2018

Power Characteristics

Voltage range	220/240
Freq Hz	50/60
Current (A)	0,14A
Power W	22
Speed RPM	2700/3000
Noise level in (dB)	40/47dB
Air flow M3/Hr & CFM	133/162 & 82/95

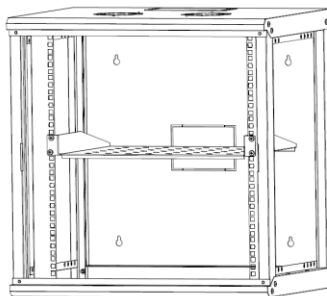
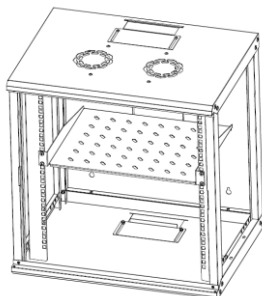


Compatible Fan Units

PA CC WL FN 01	Ventilation unit with 1 Fan+with On/Off switch control
PA CC WL FN 02	Ventilation unit with 2 Fans+with On/Off switch control
PA CC WL FN T1	Ventilation unit with 1 Fan+Analog Thermostat
PA CC WL FN T2	Ventilation unit with 2 Fans+Analog Thermostat
PA CC WL FN DT1	Ventilation unit with 1 Fan+Digital Thermostat
PA CC WL FN DT2	Ventilation unit with 2 Fans+Digital Thermostat

Note: compatible with all 19inch rack mount 2 way Fan units

SHALVES



MODEM SHELVES LOAD CARRYING CAPACITIES

- Fixed shelf : 50kg / 110lbs

Depth 450mm Wall mounting cabinets are compatible with only front fixing type Cantilever shelves !

Compatible Shelves

PA CC RK MR 1U 20	1U 19" D=200 mm Cantilever Shelf
PA CC RK MR 1U 25	1U 19" D=250 mm Cantilever Shelf
PA CC RK MR 1U 35	1U 19" D=350 mm Cantilever Shelf
PA CC RK MR 2U 30	2U 19" D=300 mm Cantilever Shelf

TECHNICAL SPECIFICATIONS

PROTECTION INDEX

- IP20 According to EN 61587-1 / IEC 60529
- IP20 :Rigid test rod diameter of 2.5 mm, 100 mm long (as specified by the standard) is pushed against any openings of the enclosure with the force of 3N

MECHANICAL PERFORMANCE

- EN 61587-1 5.2.1 / 5.2.3
- Stiffness test (Performance level SL6)
- Dynamic mechanical load test (Performance level DL4)
- Resonance point detection test IEC 60068-2-6
- Vibration test (Sinus-IEC 60068-2-6)
- Shock test IEC 60068-2-27)
- Impact test IEC 60068-2-75 (Performance level K2)
- Permissible load carrying capacity : 70kg (*Up to 200kg / 440lbs with triangle Support bar set*)

CLIMATIC TESTS (Performance level C2)

- Cold (IEC 60068-2-1) Temperature of the exposure: -25°C +/-3°C
- Dry heat (IEC 60068-2-2) Temperature of the exposure: +70°C +/-2°C
- Damp heat cyclic (IEC 60068-2-30)

INDUSTRIAL ATMOSPHERE (Performance level A3)

- Salt mist test (IEC 60068-2-11)
- Sulphur dioxide test and hydrogen sulphide test IEC 60068-2-42, IEC 60068-2-43, IEC 60068-2-49

GROUNDING CONTINUITY

EN 61587-1 / EN 61010-1

- The continuity of the protection circuit is in accordance with the standard regulations. The measured resistance was less than 0.1 Ohm.

STANDARDS

1. **ISO9001-2008** Quality management system must be used in the production of 19" Rack cabinets
2. 19" Rack Cabinets must have a **TSE Certificate EN-61587-1 , IEC60917 – IEC 60297** standards
3. In addition, all of the main and auxiliary materials used in the manufacturing process must comply with the following standards

SHEET METAL: TS EN ISO 9001:2008; TS EN 10130 :2006; DIN EN 1030- EQV; BS EN 1030-EQV; NF A36-401.

ELECTROSTATIC POWDER PAINT: ISO 9001:2015 ASTM D523; ASTM D2794; DIN EN ISO 2811-1; ASTM D1186/D1400; Ral:9005 or Ral:7035.

VENTILATION UNITS (Fan Unit) "EMC EN55032:2015 & LVD IEC 62368-1 :2018

TEMPERED SAFETY GLASS " ISO 9001 , EN 12150 – 2 : Glass, Tempered, secure " Mechanical strength test result: Bending strength minimum 120 N/ mm²

CONNECTION COMPONENTS (screw, nut, washer etc.)" TS EN ISO 7045; TS EN ISO 4032; RoHS IEC 62321 "

WHEEL SET " TS EN 12532 , TS EN 12533 , RoHS IEC 62321:2008"

LOCKS SYSTEMS "DIN-EN ISO 1043-1 PA6 GFR 30; DIN-EN 1774-ZnAl4Cu1.

TECHNICAL SPECIFICATIONS

1. Dimensions must comply with IEC60297 standards. Cabinet must be height (04U-07U-09U-12U-16U-20U)

- Width : 600mm
- Depth : 450mm

2. Main frame and profile structures must be manufactured and tested to provide axial (x, y, z) resistance that meets EN 61587-1 / 5.2.1 and 5.2.2, and external impact resistance that meets EN 61587-1 / 5.3.3. Dynamic load, vibration and mechanical impact (IEC 60068-2-6 , IEC 60068-2-27) test results must be certified by TSE.

3. Main profile structure must be a structure that would increase mechanical resistance with aesthetic appearance, folded with an angle of 90 degree and must consist of 4 bending. 2 front and 2 rear corner profiles.

4. Bottom & UP case must have cable access that would block dust inlet, Bottom case must have sliding cable entry point with dimensions 50x150mm , case structure must be monoblock welded, Up case must be compatible with 1 or 2 way ventilation unit installation

5. Side panels must have a structure that can be openable and removable by barrel type lock, The removable side panels must allow comfortable and easy access to the installed devices for maintenance from all sides of the cabinet.

6. Front door : Glass structure must be tempered, anti-static, secure glass with 4mm thickness according to EN 12150-1:2008 standard. front door must have left and right metal frames structure with high density silicone and screws and nuts , structure that open 135 degrees , removable by spring hinge , lockable with swing handle lock.

7. The rear panel of the wall-mounting rack must serve as a guide template to drilling the screws and very convenient in order to place the rack cabin in the desired location, rear panel must have 4 fixing point and M-Joint type cable entry with dimensions 100x50mm

8. To provide high resistance to impacts, cabinets must be coated by RAL 9005 or RAL 7035 Electrostatic powder coat to meet ISO 8130 and ASTM D 523 / 2794 standards and test result reports must be certificated. On flat metal surfaces, there must be 85±5 micron paint thickness and must be tested according to ASTM D2794; DIN EN ISO 2811-1; ASTM D1186/D1400 Ral:9005 or Ral:7035.

9. 2 pcs vertical mounting rails must be adjustable throughout the entire depth of the cabinet , vertical mounting rails must be 1.5mm thickness Silk-screen mounting rails are providing ability to count U- Marking from top to down & down to up for easy device installation .

10. Cabinet locks: all locks used in cabinets must have the same coded-key and all covers of cabinets must have a lockable structure

11. Fan units must be with the standards ISO 9001 :2015 , CE (89/336/EEC EMC EN55032:2015 LVD IEC 62368-1 :2018) , RoHS , Noise 40/47dB , Air Flow M3/Hr 133/162 CFM 82/95.

12. All metal components in cabinets must be connected to one another electrically and grounding resistance must be maximum 0,1 ohm according to IEC 61010-1 / 6.5.1.3 standard. All proposed products must be tested to meet this standard and their results must be certificated by TSE.