

Open Rack Single Frame H:26U W:540 D:340

- Designed for applications requiring high density cabling.
- With the open structure, it maximizes access to network equipment.
- It is compatible with vertical cable organizers where high density cable bundles are managed.
- 19" devices can be mounted to the square holes on the body.
- Provides economic solutions.

List Code: OPLRKXXUT5434CC

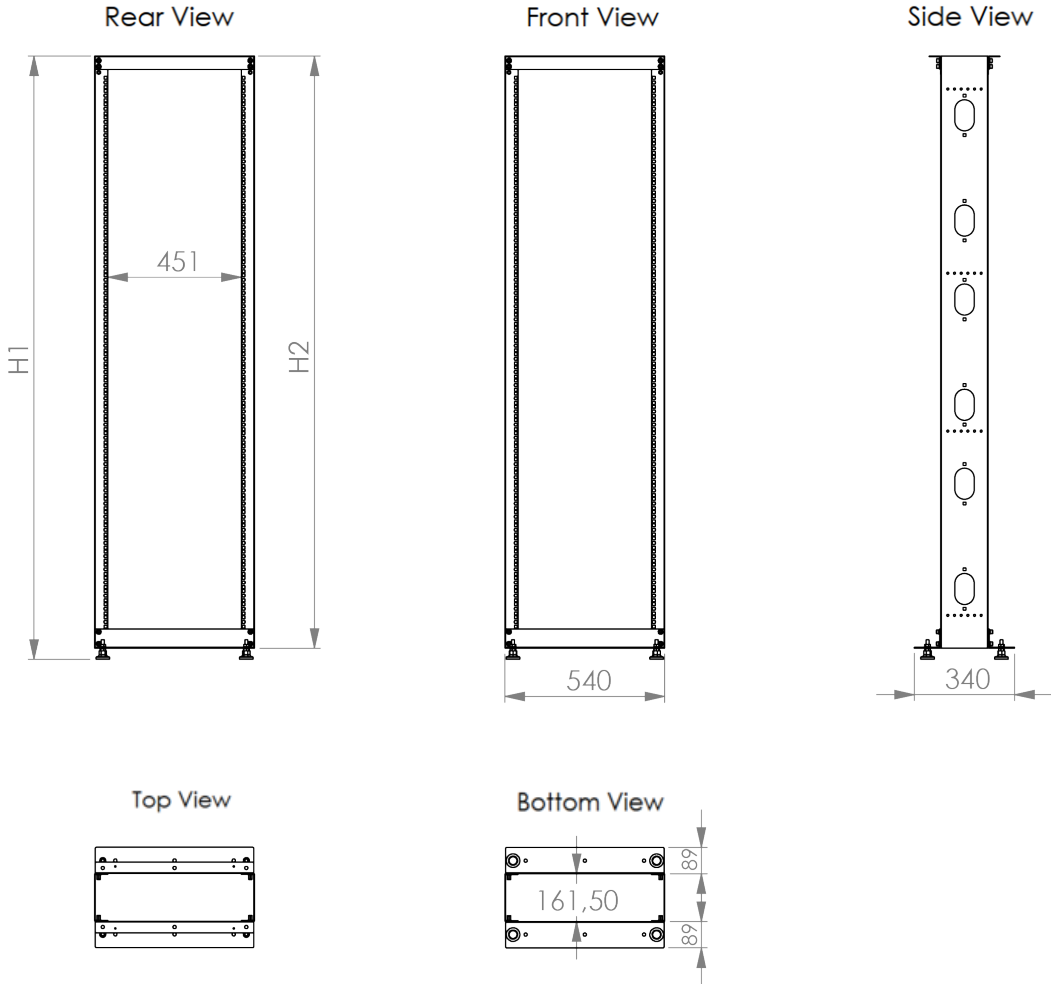
Technical Data

Deminsions: WxDxH mm
Height U
Material

W:540mm D:340mm H:(Check 2nd page for height values)
26U-36U-42U-47U
Sheet Steel, DIN EN 10130 DC-01 (6112) /EN 10346 DX51D + Z (1311)

Color

RAL 9005 Black Color = **OPLRKXXUT5434BL**
RAL 7035 Light Grey Color = **OPLRKXXUT5434LG**

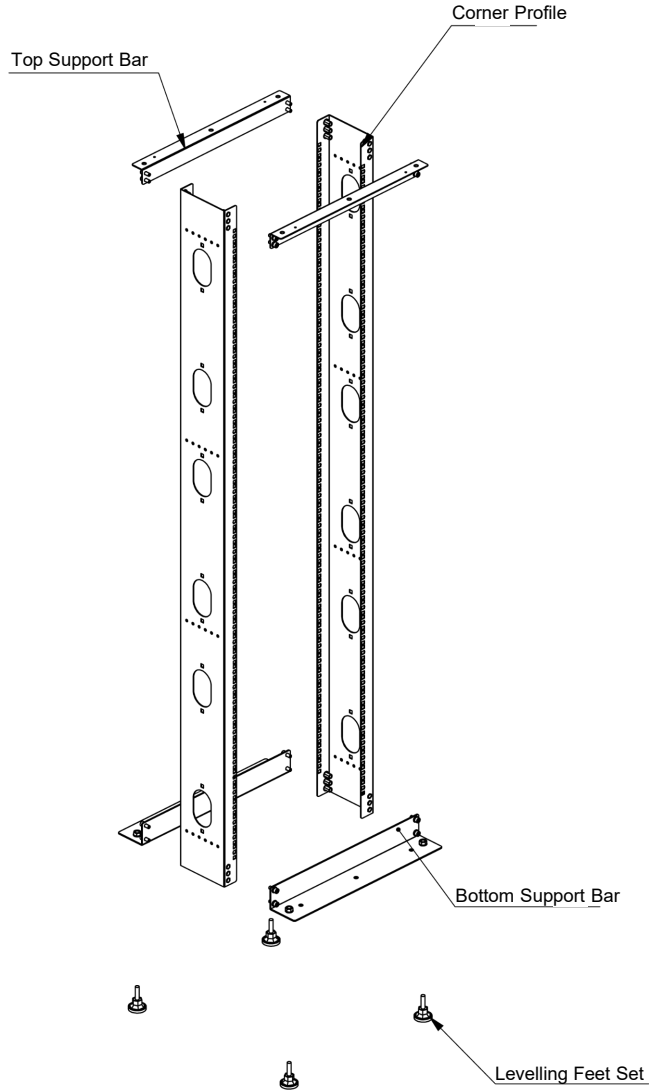


Open Rack Single Frame 540 x 340 mm

Product Code	Product Description	Width (W) mm	Depth (D) mm	H:1 Outer height with Levelling Feet (mm)	H:2 Outer height without Levelling Feet (mm)
OPLRK26UT5434CC	Open Rack 26U Single Frame 540mm x 340mm	540	340	1327,5	1290
OPLRK36UT5434CC	Open Rack 36U Single Frame 540mm x 340mm	540	340	1772,5	1735
OPLRK42UT5434CC	Open Rack 42U Single Frame 540mm x 340mm	540	340	2037,5	2000
OPLRK47UT5434CC	Open Rack 47U Single Frame 540mm x 340mm	540	340	2262,5	2225

*CC represents color code.

Explode View



Open Rack Single Frame 540 x 340 mm		ASSEMBLED Packing Information		
Product Code	Product Description	WxDxH WidthxDepthxHeight (mm)	Net Weight (kg)	Gross Weight (kg)
OPLRK26UT5434CC	Open Rack 26U Single Frame 540mm x 340mm	590x390x1310	17,5	32,5
OPLRK36UT5434CC	Open Rack 36U Single Frame 540mm x 340mm	590x390x1755	21,4	36,4
OPLRK42UT5434CC	Open Rack 42U Single Frame 540mm x 340mm	590x390x2020	23,8	38,8
OPLRK47UT5434CC	Open Rack 47U Single Frame 540mm x 340mm	590x390x2245	25,7	40,7

**The information given in the table above are average values and are for informational purposes only. It may vary according to accessories and door options. Please contact our sales consultant for the exact information of your orders.*

STANDARDS

1. **ISO9001-2015** Quality management system must be used in the production of 19" Rack cabinets.
2. In addition, all of the main and auxiliary materials used in the manufacturing process must comply with the following standards.
 - **Material** Sheet Steel, DIN EN 10130 DC-01 (6112) / EN 10346 DX51D + Z (1311)
 - **Electrostatic Powder Paint** ISO 9001:2015 ASTM D523; ASTM D2794; DIN EN ISO 2811-1; ASTM D1186/D1400; RAL9005 or RAL7035
 - **Connection Components** (screw, nut, washers etc.)“ TS EN ISO 7045; TS EN ISO 4032; RoHS IEC 62321 ”

TECHNICAL SPECIFICATIONS

Body Frame(Single): The body should consist of twisted corner profiles that allow organizer mounting, horizontal support bar, top and bottom support bars that are screwed and assembled.

Profile structure: The device mounting holes on the corner profiles must be manufactured on CNC punch machines with a precision of +/- 0.01 in 1U=44.45 mm, with 9.5x9.5mm square holes. The perforated structure should allow the installation of vertical cable organizers. It must be made of minimum 2mm thick metal sheet structure.

Bottom Support Bar: It should be assembled with corner profiles to form the structure. It must allow levelling feet or castor connection and must be twisted. It must be made of metal sheet structure with a minimum thickness of 3mm.

Top Support Bar: It should be assembled with corner profiles and horizontal connection bar to form the structure.