



The ventilation units has been designed to expel the warm air from the top of the outdoor cabinets and ensuring correct air circulation

- 2 Ventilation units
- Analog Thermostat + On/off switch control unit
- Top plate mounting
- Mounting screws
- Power cord with schuko plug

List Code: PRC FN T2

Technical Data

| | |
|------------------------------------|----------------------|
| Dimension HxWxD in mm | 44mm x 360mm x 178mm |
| Individual Packing Size HxWxD (mm) | 90*400*230 |
| Unit Net/Gross Weight | 1,75 kg / 2 kg |

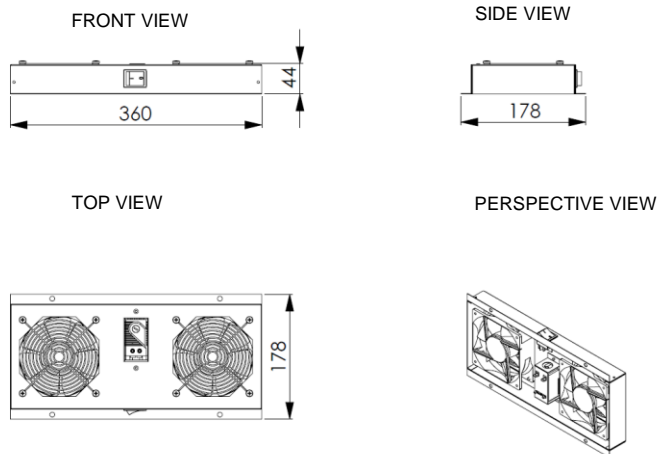
Mechanical Characteristics

| | |
|---------------|-------------|
| Material Type | Sheet Steel |
|---------------|-------------|

Power Characteristics

| | |
|----------------------|-----------------|
| Voltage Range | 220/240 |
| Freq Hz | 50/60 |
| Current (A) | 0,14A |
| Power (W) | 22 |
| Speed RPM | 2700/3000 |
| Noise Level in (dBA) | 40/47dBA |
| Air Flow M3/Hr & CFM | 133/162 & 82/95 |

Drawings



General information of the Fan units

EMC Applied standards Report Nr: EMC2019258.01

- EN 55032 Emission – Electronic compability of multimedia equipment
- IEC EN 61000-3-2 Limits for harmonic currents emission
- EN 61000-3-3 +A1 Limitation of voltage fluctiations and flicker
- EN 55024 +A1 Immunity – information Technology equipment
- EN 61000-4-2 Electrostatic discharge immunity test
- EN 61000-4-3 +A1+A2 Radiated RF electromagnetic field immunity test
- EN 61000-4-4 Electrical fan transient/brust immunity test
- EN 61000-4-5 +A1 Surge immunity test
- EN 61000-4-6 Immunity to RF conducted disturbances
- EN 61000-4-8 Power frequency magnetic field immunity test
- EN 61000-4-11 +A1 Voltage dips, short interruptions and voltage variations immunity test
- EN 61000-6-3 +A1 - +AC Generic emission standard. Residential, commercial and light industry

Overview of results

Emission Test

Standards

Results

- | | | |
|---|------------------|------|
| • Mains conducted disturbance voltage | EN 55032 Class A | PASS |
| • Radiated electromagnetic field | EN 55032 Class A | PASS |
| • Harmonic current emission | EN 61000-3-2 | PASS |
| • Limitation of voltage fluctuations | EN 61000-3-3 | PASS |
| • Discontinuoud istrubance (clics) on AC powerleads | EN 61000-6-3 | PASS |

Immunity Test

Standards

Results

- | | | |
|--|-------------------------|------|
| • Electrostatic discharges (ESD) immunity | EN 55024, EN 61000-4-2 | PASS |
| • Radiated EM field immunity | EN 55024, EN 61000-4-3 | PASS |
| • Electrical fast transient (EFT) Burst transient immunity | EN 55024, EN 61000-4-4 | PASS |
| • Surge transient immunity | EN 55024, EN 61000-4-5 | PASS |
| • Conducted RF disturbances immunity | EN 55024, EN 61000-4-6 | PASS |
| • Power frequency magnetic field immunity | EN 55024, EN 61000-4-8 | N/A |
| • Power supply voltage interruptions & dips immunity | EN 55024, EN 61000-4-11 | PASS |

LVD / information technology equipment safety Report Nr: ESIM62368_1C

Standard : IEC 62368-1 :2018

The prduct fulfils the requirements of the *IEC 62368-1 :2018* EN IEC 62368-1 :2020 + A11:2020 standards

Additional Information

- Supply cord + Schuko plug TS IEC 60884-1+A1+A2
- Supply cord + UK plug BS 1363-1
- On/Off switch TS EN61058-1
- Analog Thermostat EN 60730-1 / EN60730-2-9
- Connector IEC/EN 60950-1
- Fan IEC/EN 60950-1